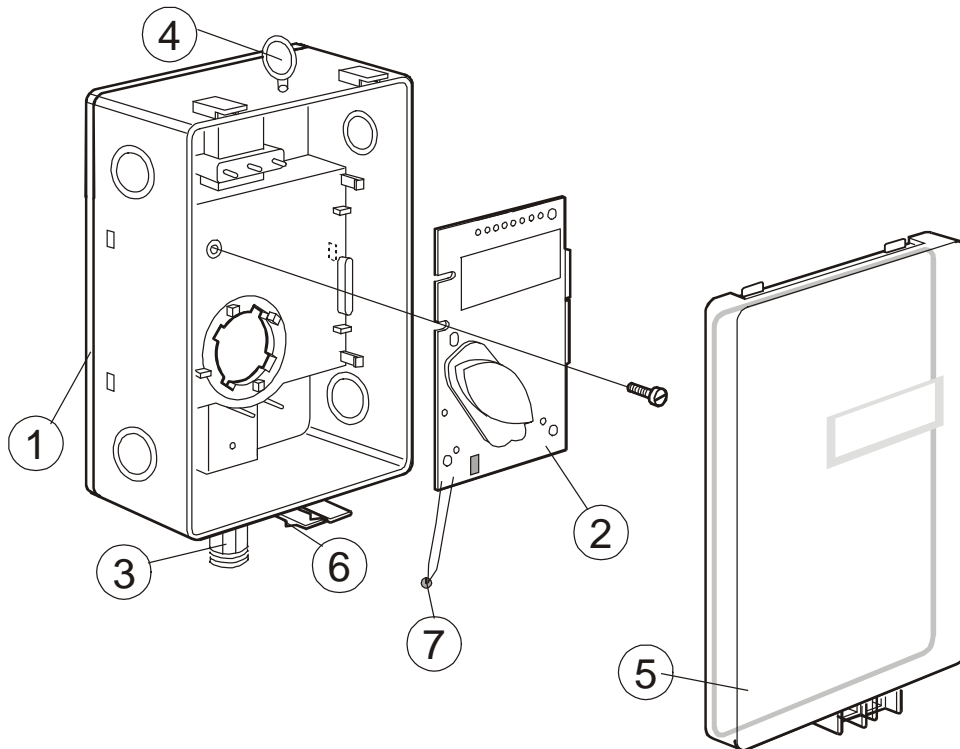


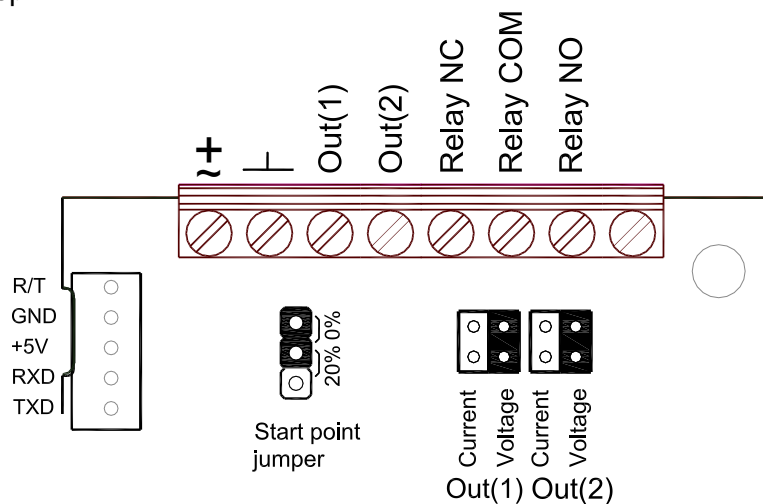
## Installation manual

# CF8-W-Disp-GH

## CO<sub>2</sub> transmitter with relay for use in greenhouses



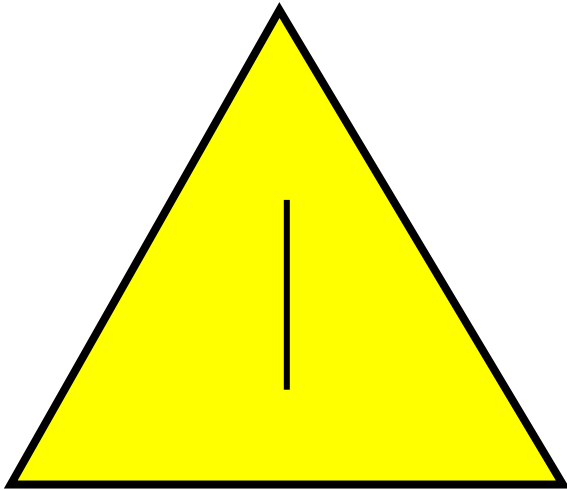
- 1 Back plate
- 2 PCB (mounted in the box at delivery)
- 3 PG7 Cable entry bushing
- 4 Attachment loop
- 5 Snap-in lid
- 6 Lid locking screw (not shown)
- 7 Temperature sensor



*Terminals and jumpers on CF8-W-Disp-GH. The darker positions are default settings*

## Electrical connections

The power supply has to be connected to  $\sim$  + and  $\perp$ .  $\perp$  is considered as system ground. If the analogue output is connected to a controller *the same ground reference has to be used for the CF8-W-Disp-GH unit and for the control system!* Unless different transformers are used, special precautions need to be taken.



**PLEASE NOTE!** The *CF8-W-Disp-GH* signal ground is not galvanically separated from the *CF8-W-Disp-GH* power supply!

### NOTE!

The same ground reference has to be used for the *CF8-W-Disp-GH* unit and for the control system!

Connect the power after mounting. The analogue output should be connected before measuring.

Connection Terminal	Function	Electrical Data	Remarks
$\sim$ +	Power (+)	24 VAC/DC+ (+-20%), 3W	2W without output load
$\perp$	Power ground (-)	24 VAC/DC-	See note 1!
Out(1)	Analogue Output 1 (+)	0-10 VDC or 0-20 mA, 2-10 VDC or 4-20 mA,	According to positions of OUT1 and start point jumpers. See note 2!
Out(2)	Analogue Output 2 (+)	0-10 VDC or 0-20 mA, 2-10 VDC or 4-20 mA	According to positions of OUT2 and start point jumpers. See note 2!
5	Normally closed relay	Contact free relay minimum load 1mA/5V rated load 0,5A/125VAC; 1A/24VDC	Triggered by register OUT(3)
6	Relay COM		
7	Normally open relay		
8	Not used		

Table 1: Electrical connections

**Note 1:** *The ground terminal is used as negative power supply DC input or AC phase ground G0 (halfwave rectifier).*

**Note 2:** *CF8-W-Disp-GH can deliver a voltage or a current loop for OUT1 and OUT2. To change between voltage and current output mode the hardware jumpers are used. There is one jumper for OUT1 and one for OUT2, so that one output can be a voltage output and the other a current output. Both, voltage output and current output, can have start points 0 % (0-10 VDC or 0-20mA) or 20% (2-10 VDC or 4-20mA). The same start point is used for both outputs. See the function manual.*



If for some reason the PCB must be removed it must be handled carefully and protected from electrostatic discharge! Normally, removing the PCB is not required.

Never feed more than one cable through each cable entry bushing.

The lid can be locked with the screw at the bottom of the sensor box.

